

CABLE 306 RF: IPEX MHF4 PLUG + RP SMA STRAIGHT BULKHEAD JACK WITH O-RING RATED TO IP67/68 + 0.81 CABLE

SPECIFICATIONS:

1. IPEX MHF4 PLUG, PN: 20448-001R-081.
2.  $\phi 0.81$ MM COAXIAL CABLE, COLOR: GRAY.
3. RP SMA ST BULKHEAD JACK WITH O-RING RATED TO IP67/68, PN: RFCT-SMA008-F78, GOLD.

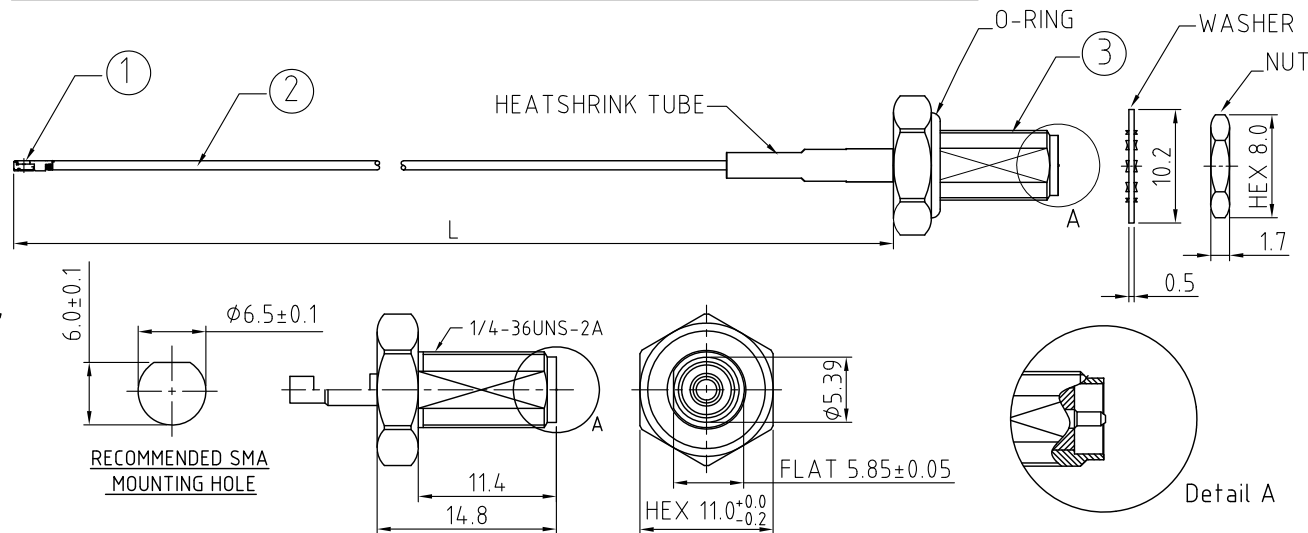
ENVIRONMENTAL:

- A. BULKHEAD MOUNTED CONNECTOR (RFCT-SMA008-F78) TESTED TO THE FOLLOWING SPECIFICATION:
- i. IP6X - DUST TIGHT - NO PARTICLE INGRESS.
  - ii. IPX7 WATERPROOF FOR 30 MINUTES UP TO 1M UNDERWATER.
  - iii. IPX8 WATERPROOF FOR 48 HOURS AT 1M UNDERWATER.
  - iv. IPX8 WATERPROOF FOR 12 HOURS AT 5M UNDERWATER.
  - v. PRESSURE TEST - 1 BAR FOR 10 SECONDS.

NOTES:

1. THE ORIENTATION OF CONNECTORS ON DRAWING IS FOR REFERENCE ONLY, IF THE ORDER IS LEFT BLANK THE CONNECTOR WILL NOT HAVE FIXED ORIENTATION.
2. FIXED ORIENTATION IS SUGGESTED FOR CABLE LENGTH 25MM TO 100MM. PLEASE SPECIFY THE FIXED ORIENTATIONS FROM THE ORDER CODE (F1, F2, ETC)
3. CONTACT GRAD CONN IF THE ORIENTATION YOU REQUIRE IS NOT SHOWN.
4. WORKING FREQUENCY RANGE: DC-3GHz.
5. OPERATING TEMPERATURE: -40°C TO +90°C.
6. IMPEDANCE: 50 OHM.

**USAGE PRECAUTIONS: CABLES USING 'MICRO' COAX ARE DELICATE:**  
 (i) HANDLE WITH CARE.  
 (ii) DO NOT TWIST; APPLY EXCESSIVE FORCES OR SHARP BENDS TO THE CABLE. DO NOT FORCEFULLY DEFORM WIRES.  
 (iii) CONSULT CONNECTOR MANUFACTURER'S DATASHEETS FOR DETAILED NOTES ON HANDLING INSTRUCTIONS.

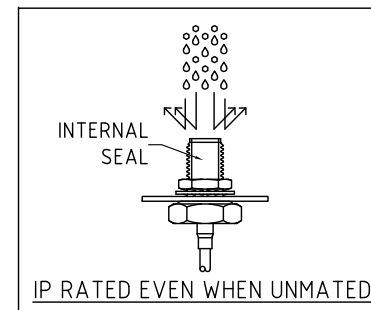
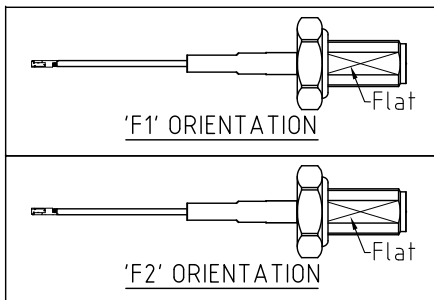


**HOW TO ORDER**  
 CABLE 306 RF - X X X - X X - X - 1  
 "L" LENGTH IN MM:  
 eg: 100MM = 100  
 (MIN. 025-MAX.400  
 STANDARD = 100, 150, 200)  
 Tolerance: <50mm : ±2mm.  
 51-200mm: ±5mm.  
 201-400mm: ±7mm.

**SMA DETAIL DRAWING**  
 CABLE SIZE:  
 1 =  $\phi 0.81$ MM CABLE, COLOR: GRAY

**WASHER AND NUT OPTIONS:**  
 BLANK = SEPARATELY PACKED (STANDARD)  
 A = ASSEMBLED WITH CONNECTOR

**ORIENTATION OPTIONS:**  
 BLANK = DOES NOT HAVE A FIXED ORIENTATION  
 F1 = MHF CONNECTION DOWN (L=25-200MM)  
 F2 = MHF CONNECTION UP (L=25-200MM)  
 (SEE NOTES 1, 2, 3 AND DIAGRAMS FOR MORE INFORMATION)



REV. DATE & DRN  
 10. 17/04/78 - N/W RELEASE  
 11. 07/07/79 - N/W  
 ADDRESS: 23 & 6  
 12. 07/08/84 - N/W  
 ADD IP RATING VIEW

Scale: NTS	THIRD ANGLE	Unstated .X .XX .XXX ANGLES	Tolerances: N/A N/A N/A N/A
Drawn: CC			
App'd: XXX	Title CABLE ASSEMBLY		
Date: 17 MAR. '24	Revision: 1.2	Unit: mm	

 IP Rated RF Products	 www.gradconn.com	Type: Cable 306 RF
		CABLE 306 RF
THIS DRAWING IS CONFIDENTIAL AND MUST NOT BE COPIED OR DISCLOSED WITHOUT WRITTEN CONSENT		Drawing Number:
		Sheet 1 of 1
		Drawing © E and O E